

## MULTIPANEL DRUG TEST with INTEGRATED CUP

### Introduction

Many parents worry about their children becoming involved with drugs and if you use any drug it involves a risk. This risk is increased when drugs are mixed with alcohol or other drugs. The idea of testing urine for the presence of drugs is to deter your staff or child from using drugs.

This test looks for the presence of drugs of abuse. Please reference your panel test to the table over leaf where you will find the Abbreviated codes, Proper drug names, Street names e.g. Cocaine—Crack and the Approximate detection time within urine.

Please note Methamphetamines are part of the amphetamine family of drugs and so will normally prove positive for ecstasy (E's). This test is fast, accurate and very easy to do.

The main benefit of the test cup is that the urine sample can be sealed and kept for full laboratory confirmation, of any positive result should the need arise.

### Drugs in the workplace

Drugs can affect the brain and the body in a number of ways and this may affect the employee's performance at work even if the misuse takes place outside the place of work. As an employer you have a duty to ensure as is reasonably possible that your employees are not a danger to other employees or the general public by consuming drugs of abuse.

### Legalities

If you are an employer wanting to test staff for drugs of abuse it is important that you have a policy in place, warning staff that they may be subject to random drug tests and that the use of drugs in the workplace or being under the influence of drugs in the workplace is a dismissible offence. It is also important that you keep up to date on the latest government legislation.

If one of your employees has a drug problem you should make every effort to help them, and encourage them to seek professional help. If drug abuse is a common problem in your work place it may be in your interest to begin a drug awareness programme for staff and managers.

### Pack contents

1. Bag containing drug panel and cup
2. Built in key
3. Instructions

### When should I do the test?

This test can be done at any time.

### How long will it take before I can read the result?

The results can be read in 5 minutes.

### Precautions

1. This test is for external use only.
2. Do not use the drugs cup beyond the expiry date on the foil pouch.
3. Use a new cup for each urine test to avoid false results. This cup cannot be re-used.
4. Do not use the drugs cup if the foil pouch has been opened.

### How accurate is this test?

This test is very accurate and the sensitivity levels meet the U.S.A, SAMHSA (Substance Abuse and Mental Health Services Administration) standards and recommended levels set by the National Institute on Drug Abuse (NIDA).

There is however a possibility of false results due to the interference of other substances in the urine.

Substances that may give a false, positive result are as follows:

1. Codeine which can be found in medicines such as Calpol and Benlyin
  2. Morphine which can be found in Co-codamol.
- These will give a positive result for opiates.

It would be advisable to ask the person being tested if they are on any prescription drugs for medical purposes before the test is carried out.

### Results

Read the results of each strip individually and independent of one another.

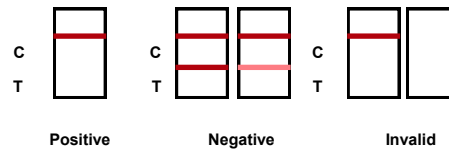
You will see 2 letters on the drugs cassette by the test strips, 'C' this is the control band and 'T', the test band.

A pink coloured line should appear on each strip of the control band (C), this confirms each strip has worked properly. If no line appears in the control band (C) then that strip has not worked properly.

A second pink coloured line, no matter how faint should now appear in the test band (T). This is a negative result.

If a second line does not appear on a strip then that strip has tested positive for the drug of abuse on the label above the strip.

**Remember a negative urine sample will produce 2 lines, and a positive urine sample will produce only one line in the control band (C).**



### What should I do with the results?

If you obtain a negative result then the person tested has none of the tested drugs of abuse in their body at this time. You may want to re-test again in a month's time.

If you obtain a positive result on one of the drug strips then a drug of abuse has been detected in the urine, we strongly advise you send the specimen away to have the result confirmed.

### Storage

This test should be stored below 28°C (83°F), do not freeze. Bring the test kit to room temperature before performing the test.



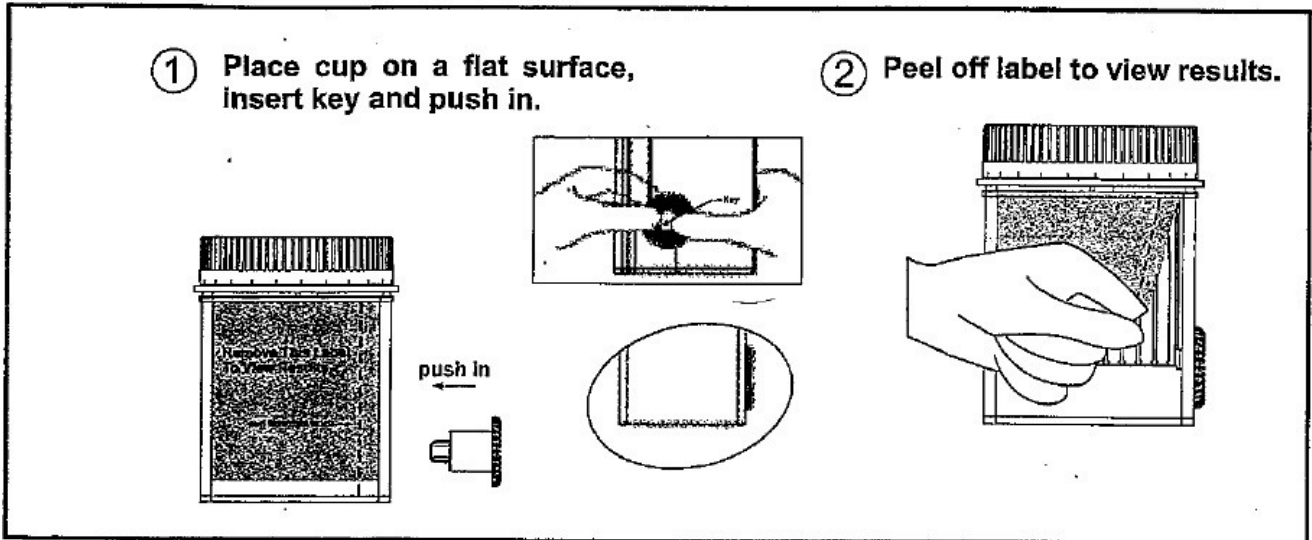
Abbreviated name on test	Proper name	Other names	Approx. detectable time it remains in the body after use.
AMP	AMPHETAMINES	SPEED, AMPH or WHIZZ	2-6 days
BAR	BARBITURATES	DEPRESSANTS, BARBS	3-8 days Short acting 3-4 weeks Long acting
BUP	BUPRENORPHINE	SUBUTEX	3-6 days
BZO	BENZODIAZEPINES	BENZO'S, ROOFIES	2-14 days
COC	COCAINE	COKE, CRACK or CHARLIE	2-5 days
EDDP		METHADONE METABOLITE	2-4 days
MDMA	METHLENDIOXYMETHAMPHETAMINES	ECSTASY, E, XTC, PILL or DOVES	2-6 days
MET/mAMP	METHAMPHETAMINES	ICE, GLASS or METH	2-6 days
MOP/MOR	MORPHINE	OPIATES	2-5 days
MTD	METHADONE	DOLLY, RED ROCK	2-8 days
OPI	OPIATES	HEROIN, SMACK or GEAR	2-5 days
THC	CANNABIS	MARIJUANA, PUFF, SPLIFF or HASH	Casual use 2-14 days. Heavy use up to 30 days.
KET	KETAMINE	SPECIAL K	2-5 days

**Test procedure:**

Due to the sensitive nature of this drugs cup, you must be careful when carrying out the test to avoid contamination and thus inaccurate test results.

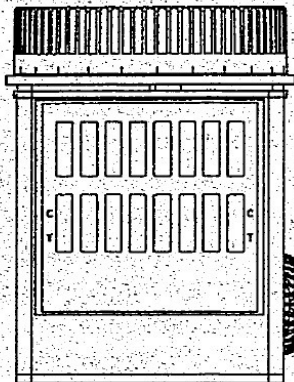
Please read these instructions carefully in conjunction with the pictures below before beginning the test.

1. Open the foil pouch containing the drug cup.
2. Remove the cap.
3. The person to be tested for the presence of drugs needs to urinate into the drug cup. Ensure the specimen reaches the minimum fill volume line on the label. There is a temperature bar on the label of the drugs cup. If the temperature does not show a green colour then the sample may have been tampered with. Human urine should be between 90 — 100°F or 32 — 38°C
4. Secure the cap back on to the cup by turning it till tight.
5. On a flat surface remove the key from the top of the lid and push the key into the socket on the side of the test cup until it is flush with the side of the cup.
6. When ready, peel off the label to view the results. You can read the results after 5 minutes. Do not interpret the results after 10 minutes.

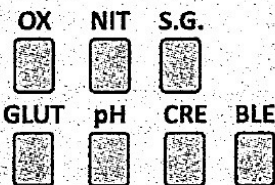


**For Visual Interpretation:**

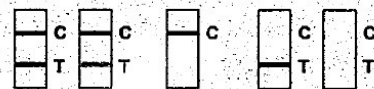
3. Wait 5 minutes to read drug results.



Interpret adulteration strips between 3-5 mins. See enclosed color chart for interpretation.



Interpret drug results at 5 minutes.



**Negative Positive Invalid**

Please note: not all integrated test cups we supply with have an adulteration strip included within the test panel.

For more details :  
Home Health (UK) Ltd  
Unit A, Greatham Road Industrial Estate  
Greatham Road  
Bushey  
Herts, WD23 2NZ  
Website: [www.homehealth-uk.com](http://www.homehealth-uk.com)

Version 2.2 09.02.2017